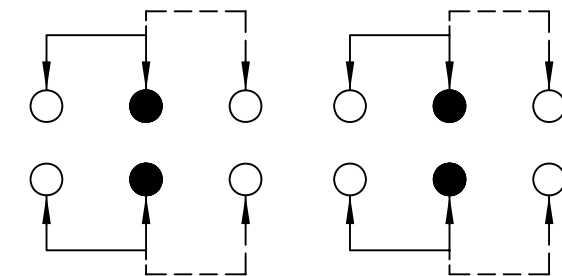
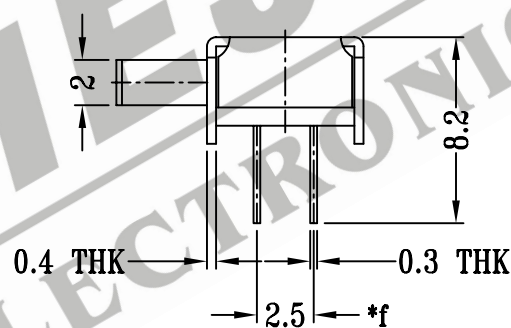
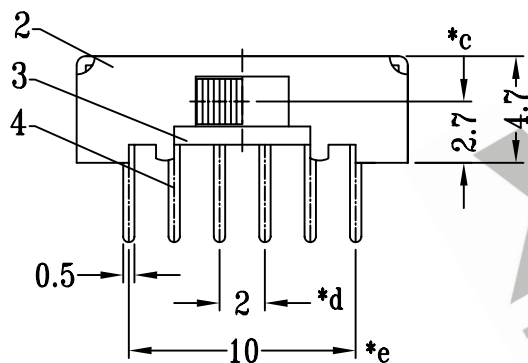
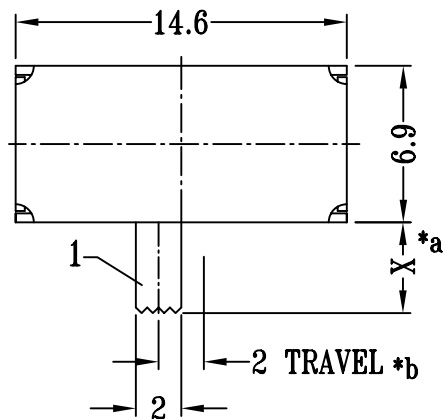
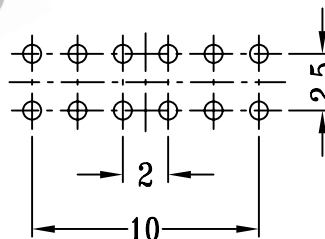


CAD FILE:



SCHEMATIC (NON-SHORTING)



P.C.B LAYOUT

注：“*”表示关键尺寸（6个）

NO.	PARTS	MATERIALS	Q'TY	FINISH	TOLERANCE UNLESS SPECIFIED	SHENZHEN XIEJIA ELECTRONICS CO.,LTD.																										
8						<table border="1"> <tr> <td>ISSUE</td> <td>DATE</td> <td colspan="2">DESCRIPTIONS OF REVISION</td> <td>APPD.</td> </tr> </table>				ISSUE	DATE	DESCRIPTIONS OF REVISION		APPD.																		
ISSUE	DATE	DESCRIPTIONS OF REVISION		APPD.																												
7																																
6	SPRING PLATE	STAINLESS STEEL	1	NATURAL	WITHIN: 1.5±0.1mm	<table border="1"> <tr> <td colspan="2">TITLE : HORIZONTAL SLIDE SWITCH</td> <td>UNIT : mm</td> <td colspan="2">DRWG NO.: XJ-DR-SK42D03-00</td> </tr> <tr> <td colspan="2">MODEL: SK-42D03</td> <td>SCALE: 3:1</td> <td>DWN.</td> <td>ZHOUYU</td> <td>2007-9-6</td> </tr> <tr> <td colspan="2"></td> <td></td> <td>CHK'D</td> <td>FANGYING</td> <td>2007-9-6</td> </tr> <tr> <td colspan="2"></td> <td></td> <td>APPD.</td> <td>KANGXINAN</td> <td>2007-9-6</td> </tr> </table>				TITLE : HORIZONTAL SLIDE SWITCH		UNIT : mm	DRWG NO.: XJ-DR-SK42D03-00		MODEL: SK-42D03		SCALE: 3:1	DWN.	ZHOUYU	2007-9-6				CHK'D	FANGYING	2007-9-6				APPD.	KANGXINAN	2007-9-6
TITLE : HORIZONTAL SLIDE SWITCH		UNIT : mm	DRWG NO.: XJ-DR-SK42D03-00																													
MODEL: SK-42D03		SCALE: 3:1	DWN.	ZHOUYU	2007-9-6																											
			CHK'D	FANGYING	2007-9-6																											
			APPD.	KANGXINAN	2007-9-6																											
5	CONTACT CLIP	PBS C5210R-EH	4	Ag CLAD	OVER: 1.5±0.2mm																											
4	TERMINAL	BRASS STRIP	12	Ag PLATED OVER Ni PLATED																												
3	BASE	PHENOLIC RESIN	1	NATURAL																												
2	FRAME	STEEL STRIP	1	Ni PLATED																												
1	KNOB	POM	1	BLACK																												
					ALL MATERIALS MUST BE COMPLIANT TO ROHS																											